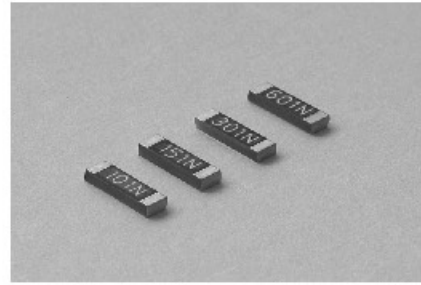


## RF Power Resistors

### Features and Applications

These components are designed for microwave applications and are available in wattages from 10-250W and ohmic values of 50-800ohms. Heat from the resistors can be extracted through back metal or flange to PCB or heat sink. The compact size and large power handling capability also have excellent RF characteristics. These units are RoHS compliant and are beryllium free. A 1% tolerance and 50ppm/C TCR ensure stable circuits. Applications include: RF Power amplifiers, RF power sources, fixed station for cell phones, RF measurement and terminations of circulators / isolators.



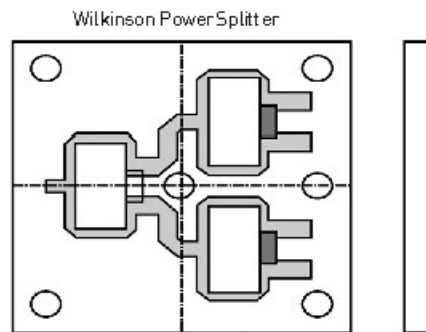
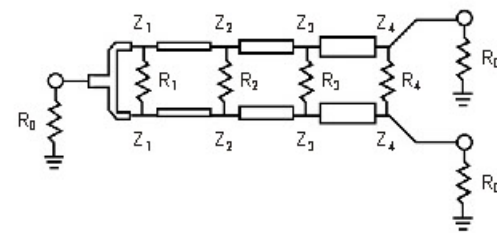
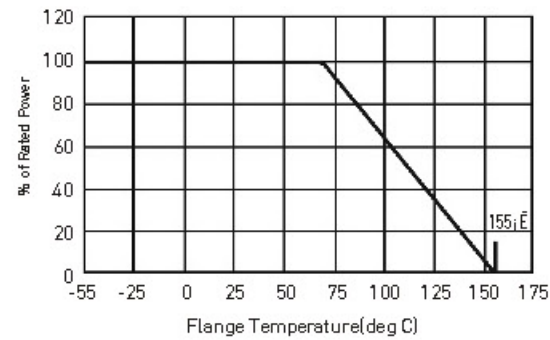
### GENERAL SPECIFICATIONS

Model	Power Rating with Heatsink [W]	Resistance[Ω]	Tolerance(%)
TFH52, TFH72	10	50, 100, 150, 200, 250, 300, 400, 600, 800	F(±1.0)
TFK52, THK72	10		
TFR010-0	10		
TFR050-0	50		
TFR100-0	100		
TFR250-0	250		

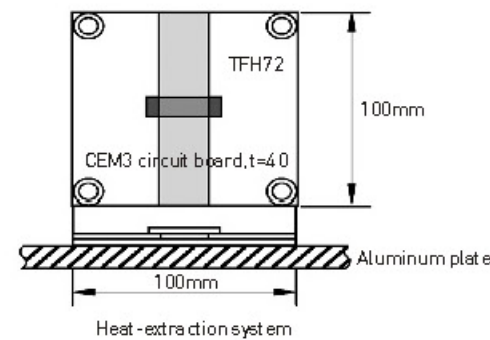
### CHARACTERISTICS

	TFH52, TFH72	TFK52, TFK72	TFR010-0	TFR050-0	TFR100-0	TFR250-0
Temp. Coefficient						±50ppm/°C
Rated Ambient Temp.						70°C
Operating Temp Range						-55°C to +155°C
Load Life						±0.5%
Humidity						±0.5%
Series Inductance	3.2μH	3.2μH				-
Parallel Capacitance	<0.05pF	<0.05pF				-

### DERATING CURVE & APPLICATIONS

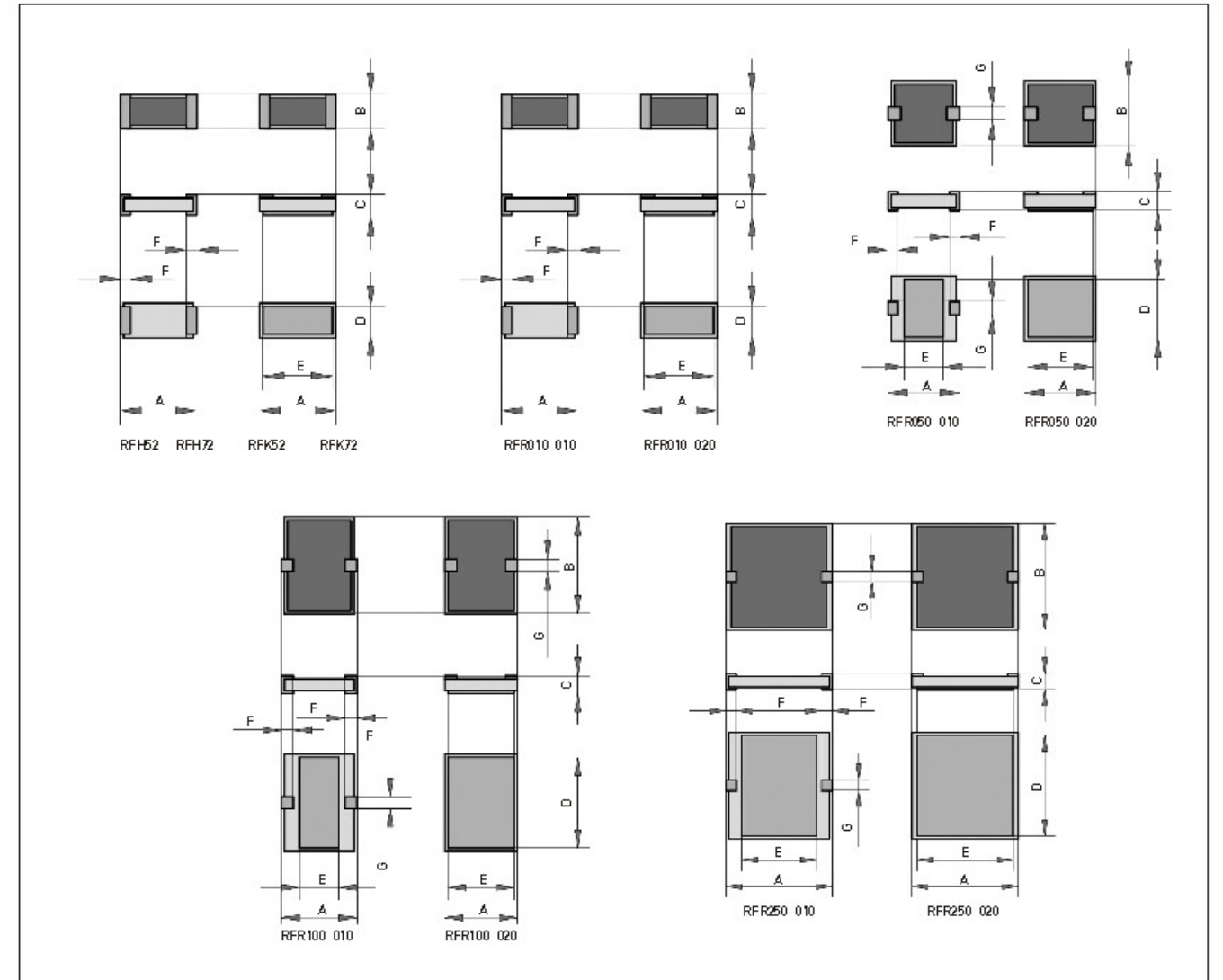


An application of TFH72



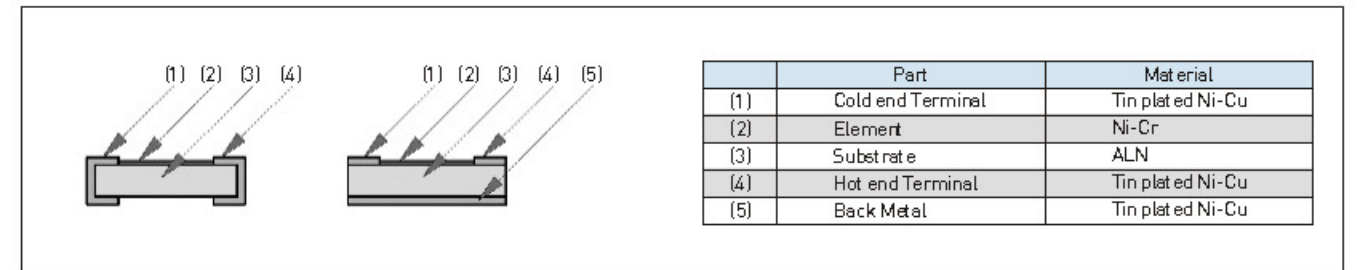
Heat-extraction system

### DIMENSIONS (mm)

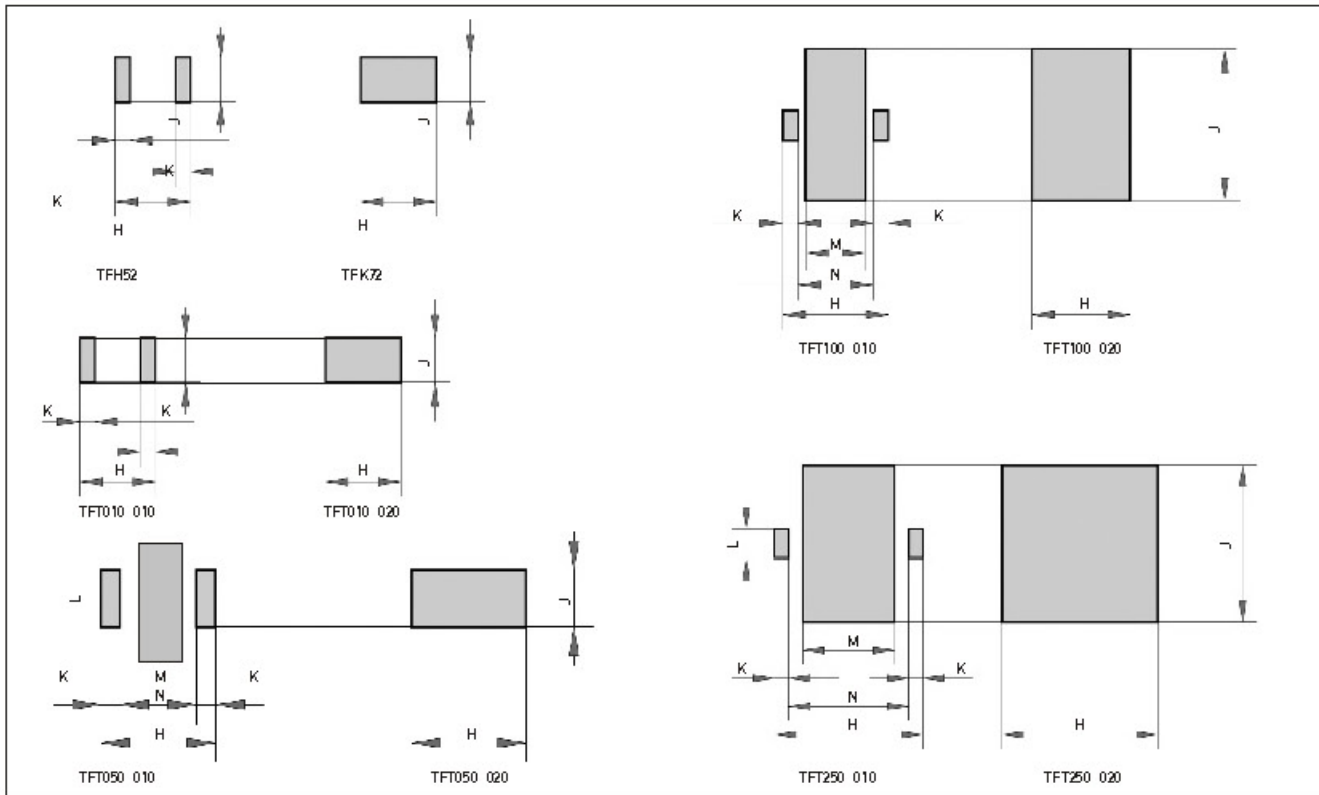


Model	Power	A	B	C	D	E	F	G
TFH52	10W	5.0	2.5	1.2max	-	-	0.8	-
TFH72	10W	7.0	2.0	1.2max	-	-	0.8	-
TFK52	10W	5.0	2.5	1.2max	2.3	4.8	0.8	-
TFK72	10W	7.0	2.0	1.2max	1.8	6.8	0.8	-
TFR010 010	10W	5.08	2.54	1.05	-	-	1.27	-
TFR020 020	10W	5.08	2.54	1.05	2.34	4.88	1.27	-
TFR050 010	50W	5.08	5.08	1.05	4.84	2.00	1.27	1.27
TFR050 020	50W	5.08	5.08	1.05	4.84	4.68	1.27	1.27
TFR100 010	100W	5.84	8.89	1.05	8.49	2.54	1.27	1.27
TFR100 020	100W	5.84	8.89	1.05	8.49	5.45	1.27	1.27
TFR250 010	250W	9.52	9.52	1.05	9.12	6.00	1.27	1.27
TFR250 020	250W	9.52	9.52	1.05	9.12	9.12	1.27	1.27

### MATERIALS



FOOT PATTERN

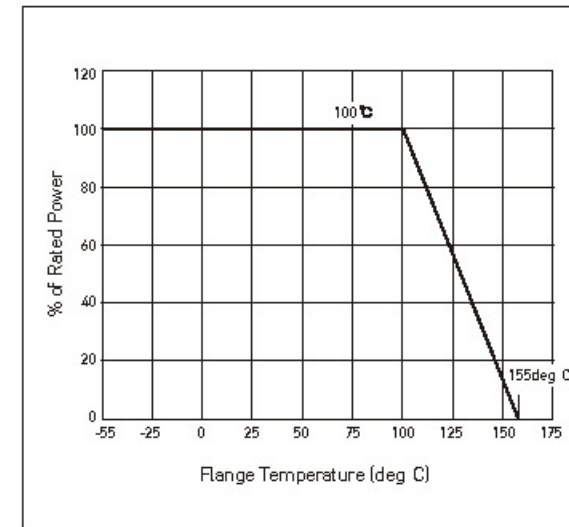
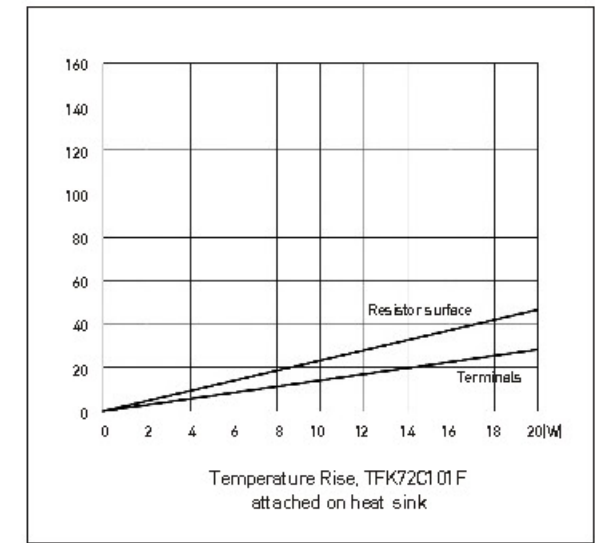
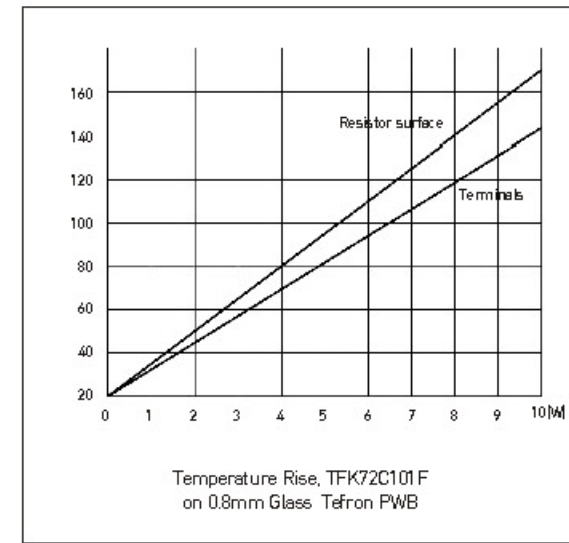


(mm)	H	J	K	L	M	N
TFH52	5.40	2.70	1.20	-	-	-
TFH72	7.40	2.40	1.20	-	-	-
TFK52	5.40	2.70	-	-	-	-
TFK72	7.40	2.40	-	-	-	-
TFR010 010	5.48	2.94	1.67	-	-	-
TFR010 020	5.48	2.94	-	-	-	-
TFR050 010	5.48	5.48	1.47	1.47	2.54	2.14
TFR050 020	5.48	5.48	-	-	-	-
TFR100 010	6.24	9.29	1.47	1.47	3.30	2.90
TFR100 020	6.24	9.29	-	-	-	-
TFR250 010	9.92	9.29	1.47	1.47	6.98	6.58
TFR250 020	9.92	9.29	-	-	-	-

ORDERING PROCEDURE EXAMPLE

Ordering Example	Model	Outlook	TCR	Resistance	Tolerance	Bulk/Tape	Remarks
TFH52 C200 0hmFZ 00	TFH52		C	200Ω	F	Z00-Z01	Bulk-Tape
TFH72 C200 0hmFZ 00	TFH72		C	200Ω	F	Z00	Bulk-Tape
TFK52 C200 0hmFZ 00	TFK52		C	200Ω	F	Z00	Bulk-Tape
TFK72 C200 0hmFZ 00	TFK72	010	C	200Ω	F	Z00	Bulk-Tape
TFR010 010 C50 0hmFZ 00	TFR010	020	C	50Ω	F	Z00	Bulk-Tape
TFR010 020 C50 0hmFZ 00	TFR010	010	C	50Ω	F	Z00	Bulk-Tape
TFR050 010 C50 0hmFZ 00	TFR050	020	C	50Ω	F	Z00	Bulk-Tape
TFR050 020 C50 0hmFZ 00	TFR050	010	C	50Ω	F	Z00	Bulk-Tape
TFR100 010 C50 0hmFZ 00	TFR100	020	C	50Ω	F	Z00	Bulk-Tape
TFR100 020 C50 0hmFZ 00	TFR100	010	C	50Ω	F	Z00	Bulk-Tape
TFR250 010 C50 0hmFZ 00	TFR250	020	C	50Ω	F	Z00	Bulk-Tape
TFR250 020 C50 0hmFZ 00	TFR250		C	50Ω	F	Z00	Bulk-Tape

TEMPERATURE RISE & DERATING CURVE



FREQUENCY CHARACTERISTICS

